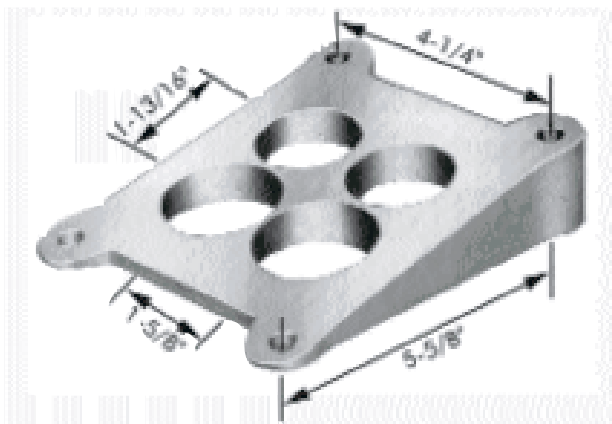


# CARBURETOR TILT SHIMS

## FOUR THROAT CARBURETOR TILT SHIM - 12°

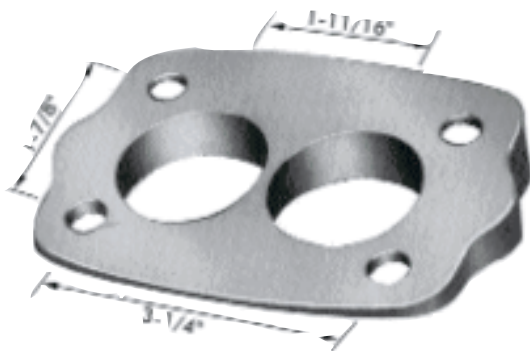


**CAST ALUMINUM**

Machined and drilled to fit most four barrel carburetors with four bolt patterns. Will not fit a Holley or Edelbrock.

<b>Length</b>	<b>Width</b>	<b>Item No.</b>
6 1/2"	5"	410

## TWO THROAT CARBURETOR TILT SHIM - 12°

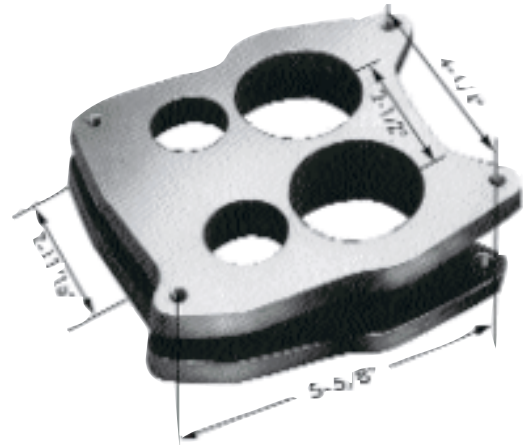


**CAST ALUMINUM**

Machined and drilled to fit small block Chevrolets with Rochester carburetors ONLY.

<b>Length</b>	<b>Width</b>	<b>Item No.</b>
5"	3-3/8"	411

## QUADRAJET TILT SHIM - 12°

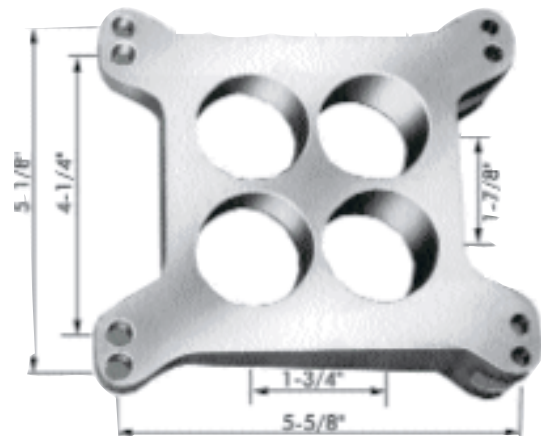


**CAST ALUMINUM**

Designed especially for four barrel Quadrajet carburetors ONLY.

<b>Item No.</b>
412

## TILT SHIM - 12°



**CAST ALUMINUM**

Designed for Holley, Edelbrock and Carter AFB carburetors with a 4-1/4", 5-1/8" or 5-5/32" x 5-5/8" bolt pattern.

<b>Item No.</b>
455