

# STUFFING BOXES AND SHAFT LOG HOSE

## DOUBLE SEAL TYPE STUFFING BOX

CAST BRONZE



Our stuffing box uses double neoprene seals. Water must be discharged into the stuffing box, further lubricating the Aqua Lube bearing insert. O.D. is 1-3/4". For use with 1" and 1-1/8" shafts.

## SEAL TYPE STUFFING BOX

CAST BRONZE



A neoprene seal stuffing box furnished in 1" or 1-1/8" shaft sizes for shaft logs. O.D. is 1-3/4". An ideal stuffing box for tight coupled installations.

Shaft Size	Item No.	Shaft Size	Item No.
Bronze - 1"	244	Bronze - 1"	234
Chrome - 1"	246	Chrome - 1"	236
Bronze - 1-1/8"	1663	Bronze - 1-1/8"	235
Chrome - 1-1/8"	1664	Chrome - 1-1/8"	237
Seal - 1"	233*	Seal - 1"	233*
Seal - 1-1/8"	238*	Seal - 1-1/8"	238*

The O.D. for the both the #233 and #238 is 1-1/2"

## STUFFING BOX PARTS

### HOSE

Length of Hose . . . . . 4 1/2"  
 Inside Diameter of Hose . . . . . 1 3/4"  
 Outside Diameter of Hose . . . . . 2 1/4"

Item No.  
232

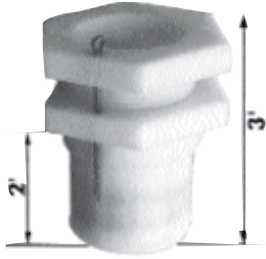


STAINLESS CLAMPS  
(2 required)

Item No.  
231

# STUFFING BOXES • BEARINGS • BEARING CAGES

## GW MORSE-TYPE STUFFING BOX



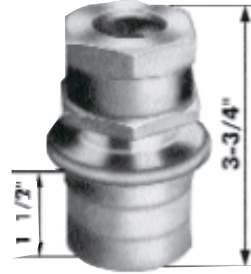
Corrosion free, pre-packed with beveled glands to force packing against shaft as it is tightened. O.D. is 1-3/4".

<b>Shaft Size</b>	<b>Item No.</b>
1"	1215**
1-1/8"	1216**

<b>Description</b>	<b>Item No.</b>
<b>Extra Packing:</b>	106 (SEE BELOW)

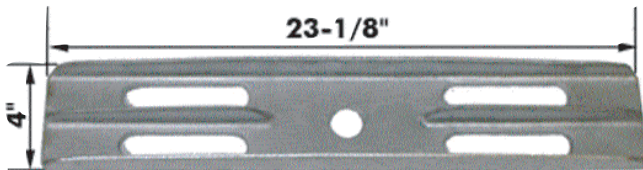
\*3/16"    \*\*5/16"    \*\*\*1/4" - Please specify when ordering

## PACKING TYPE STUFFING BOX



<b>Shaft Size</b>	<b>Item No.</b>
Bronze 1"	223***
Bronze Chrome 1"	227***
Bronze 1-1/8"	226*
Bronze Chrome 1-1/8"	230*
O.D. is 1-3/4".	

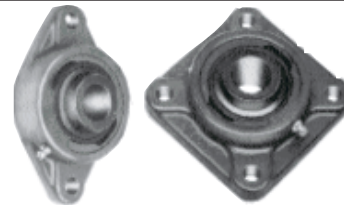
## THRUST BEARING CAGE CAST ALUMINUM



Hi-tensile cast aluminum bracket for holding the flange type thrust bearing. Fastens between engine stringers with two pieces of aluminum angle.

<b>Length</b>	<b>Width</b>	<b>Item No.</b>
23-1/2"	4-1/8"	280

## FLANGE BEARINGS



A self-aligning flange type bearing. Perfect for thrust installation on channel between engine stringers.

### TWO HOLE FLANGE BEARING

<b>Shaft Size</b>	<b>Base Size</b>	<b>Item No.</b>
1"	3 1/4" x 5 1/2"	346
1-1/8"	3 1/4" x 5 1/2"	347

### TWO OR FOUR HOLE STANDARD DUTY

PLEASE SPECIFY TWO OR FOUR HOLE

BOLT CENTER FOR 2-HOLE IS 3-7/8"

BOLT CENTER FOR 4-HOLE IS 2-3/4" SQUARE

3/4"	3" X 3"	286
1"	3 3/4" X 3 3/4"	285

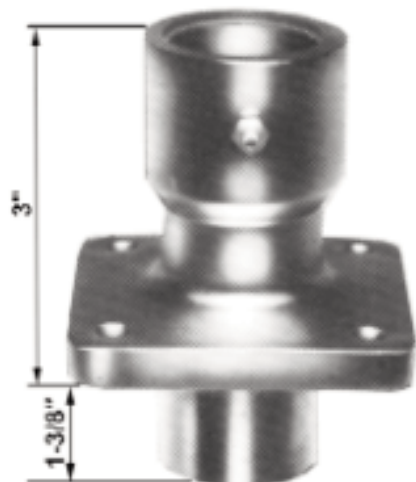
### MEDIUM DUTY/STANDARD DUTY

1"	4 1/4" X 4 1/4"	288
----	-----------------	-----

# RUDDER STUFFING BOXES • PLATES

## DOUBLE SEAL TYPE STUFFING BOX

### CAST BRASS



This competition rudder stuffing box uses a double seal on top and an "O" ring on the bottom, giving greater rudder shaft stability and assuring a positive leak-proof unit.

Base: 3-5/16" x 3-5/16"

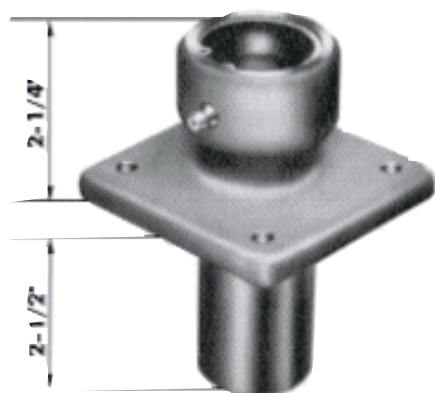
Holes: center to center 2-3/8"

O.D. - 1- 5/8"

Description	Item No.
1" Brass	135
1" Brass Chrome	137
1-1/8" Brass	136
1-1/8" Brass Chrome	138
Extra Seal - 1"	233
Extra Seal - 1-1/8"	238
Extra "O" ring (specify 1" or 1-1/8")	139

## SINGLE SEAL TYPE STUFFING BOX

### CAST BRASS



This rudder stuffing box uses a neoprene seal. Furnished in 1" or 1-1/8" rudder shaft size.

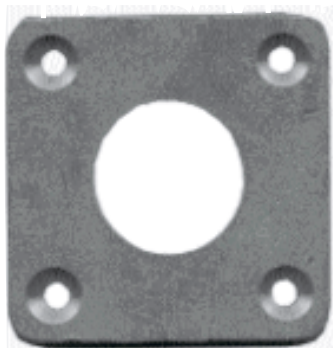
Base: 3-1/4" x 3-1/4"

Holes: center to center 2-5/16"

O.D. - 1-1/2"

Description	Item No.
1" Brass	112
1" Brass Chrome	114
1-1/8" Brass	113
1-1/8" Brass Chrome	115

## RUDDER STUFFING BOX PLATE

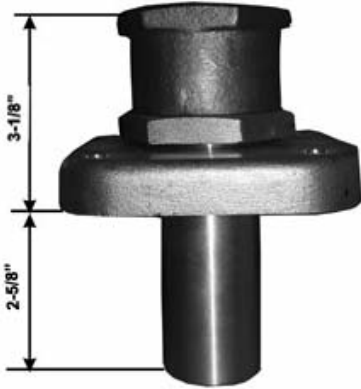


Description	Item No.
3 1/4" X 3 1/4" Brass	107
3 1/4" X 3 1/4" Brass Chrome	109
Holes: center to center 2-3/8"	
4" x 4" Brass	108
4" x 4" Brass Chrome	110
Holes: center to center 2-13/16"	

# RUDDER STUFFING BOXES

## HEAVY DUTY STUFFING BOXES

### PACKING TYPE - CAST BRASS



Designed for rudders using a 1-1/8" shaft.

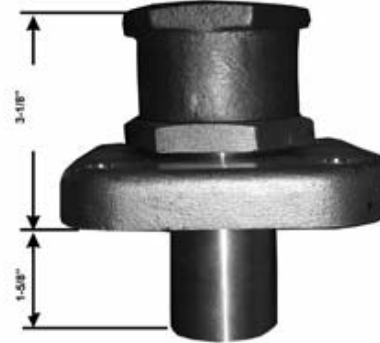
Base: 4" x 4"

Holes: center to center 2-3/4"

O.D. - 1-1/2"

**Description**  
Heavy Duty

**Item No.**  
101\*\*



Designed for Tournament ski boat applications. This stuffing box is used with our Tournament ski boat rudder for 1-1/8" shaft.

Base: 4" x 4"

Holes: center to center 2-3/4"

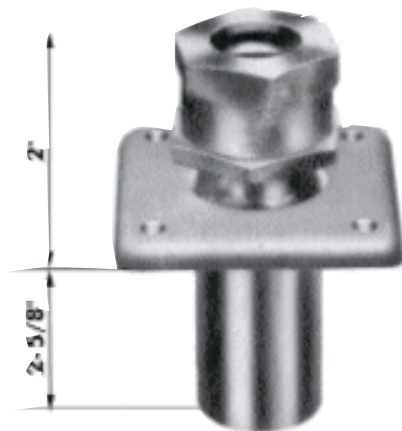
O.D. - 1-1/2"

**Description**  
Tournament

**Item No.**  
1289\*\*

## MEDIUM DUTY STUFFING BOX

### PACKING TYPE - CAST BRASS



Base: 3 1/4" x 3-1/4"

Holes: center to center 2-5/16"

O.D. - 1-1/2"

**Description**  
1" Brass  
1" Brass Chrome  
1-1/8" Brass  
1-1/8" Brass Chrome

**Item No.**  
102\*\*\*  
104\*\*\*  
103\*  
105\*

**Description**

Extra Packing:

**Item No.**

106

\*3/16"    \*\*5/16"    \*\*\*1/4" - Please size specify when ordering