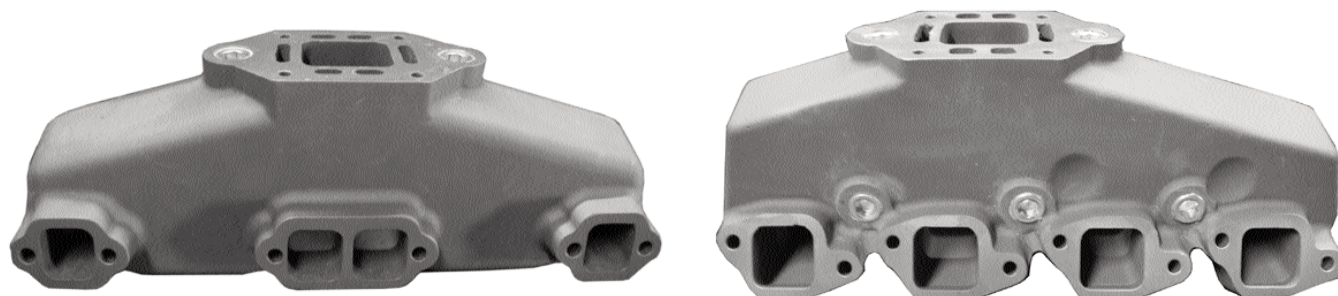


# EXHAUST SYSTEMS

## MAGNAFLOW® SERIES STERN DRIVE EXHAUST SYSTEM

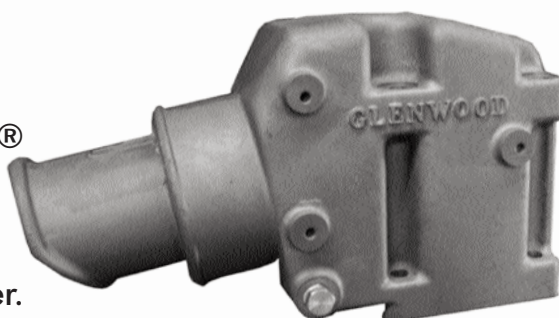


Glenwood's Magnaflow® Series Stern Drive Exhaust System is a lightweight and affordable replacement for stock cast-iron MerCruiser, OMC and Volvo I/O manifolds and risers. The Magnaflow® Series features weight saving precision cast aluminum exhaust manifolds and risers which are a direct bolt-on, no modification installation. To help insure maximum durability and corrosion resistance, Magnaflow® Exhaust Systems are hard anodized inside and out to a battle ship gray finish and are also available polished. Magnaflow® Exhaust Systems are available for both small block (305 and 350 c.i.) and big block (454 c.i.) Chevrolet V-8 engines.

	Item No.
Magnaflow® (exhaust manifolds only) small block V-8 (Polished)	1611
Magnaflow® (exhaust manifolds only) big block V-8 (Polished)	1621

## MAGNAFLOW® RISER/ELBOW

The Magnaflow® exhaust riser/elbow is cast aluminum and fully water jacketed. Risers are hard anodized inside and out to a battle ship gray finish and are also available polished. Will fit both big block and small block Magnaflow® exhaust manifolds. A direct replacement for MerCruiser, OMC, and Volvo I/O cast-iron riser/elbow. Accommodates standard MerCruiser shift/throttle bracket attachment. Full 4" O.D. riser.



	Item No.
Magnaflow® riser/elbow (Hard anodized)	1630

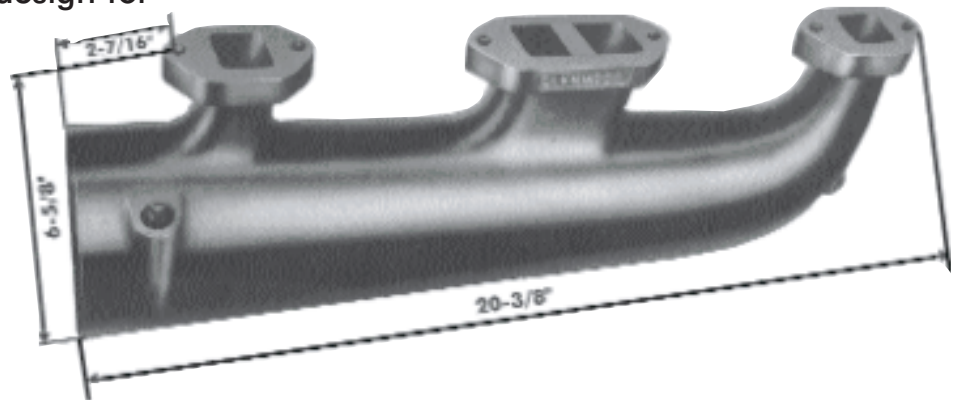
# EXHAUST MANIFOLDS

## CHEVROLET - SMALL BLOCK V-8

265-283-305-307-327-350 & 400 cu. in.

Free flowing, swept back design for maximum performance.

Item No.  
697

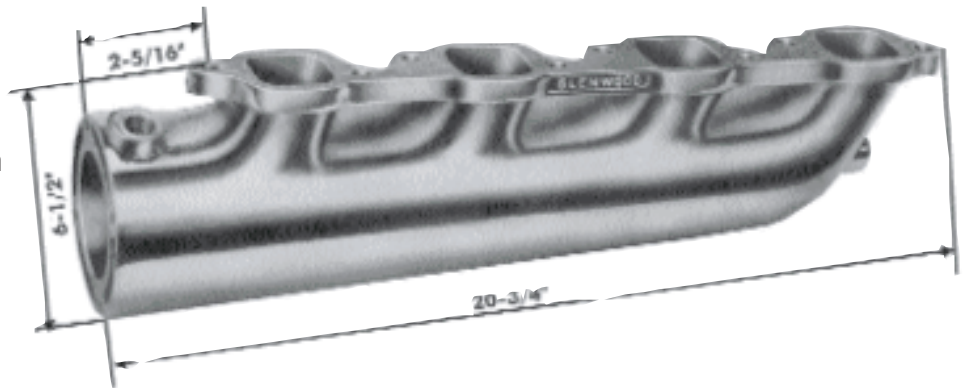


## CHEVROLET - BIG BLOCK V-8

396-427 & 454 cu. in.

Cast 356 aluminum alloy. Features smooth flowing exhaust ports for maximum efficiency.

Item No.  
956

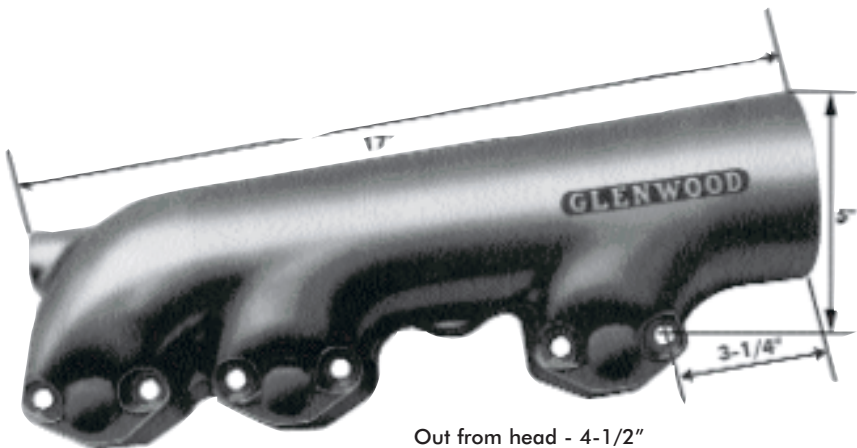


## CHEVROLET - V-6

262 cu. in., 4.3 liter

A true performance fully water jacketed header type manifold. Use with 4" elbows or risers.

Item No.  
1298



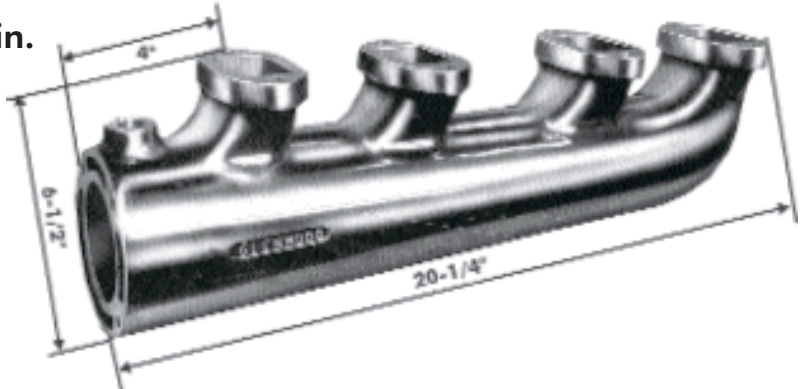
# EXHAUST MANIFOLDS

## FORD V-8

352-390-406-427 & early 428 cu. in.

All Glenwood header type manifolds have large 3" exhaust outlets for extra performance.

Item No.  
959

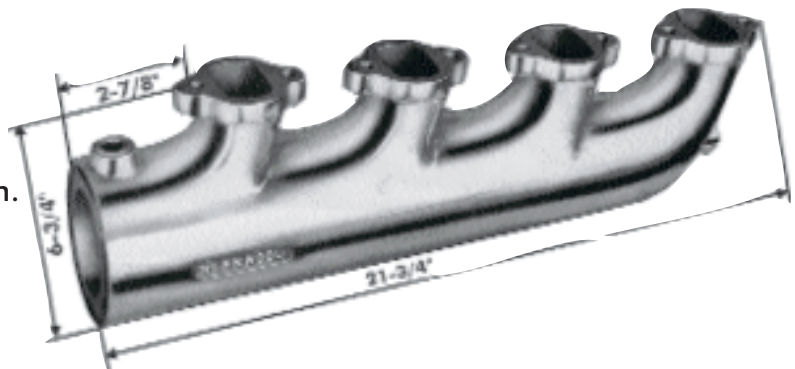


## FORD AND LINCOLN

429 - 460

Space saving header manifold design with brightly polished aluminum finish.

Item No.  
960

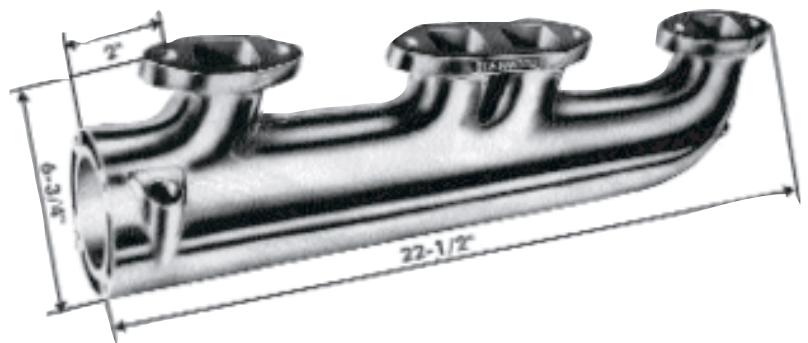


## CHRYSLER WEDGE

383-413-426 & 440cu.in

Wedge 1959-1973 on B Block engines. Will not fit a Hemi engine.

Item No.  
961

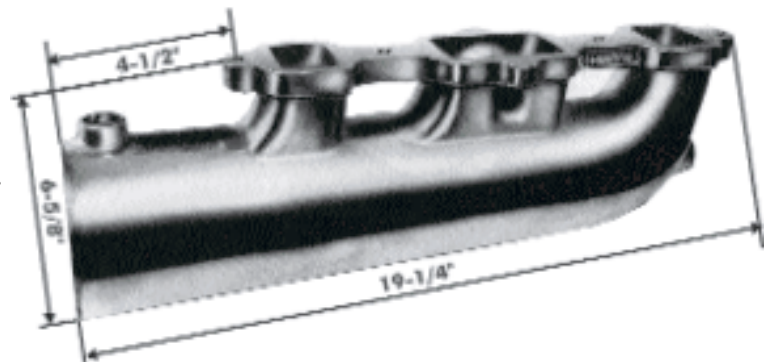


## OLDSMOBILE V-8

350-400-403-425 & 455 cu. in.

Every Glenwood header manifold is fully water jacketed to minimize heat build-up.

Item No.  
962



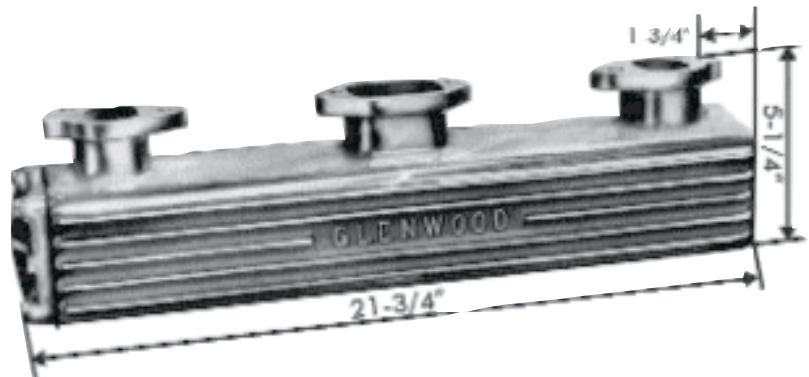
# EXHAUST MANIFOLDS

## PONTIAC

389, 421 & 455 cu. in.  
1959-1979 (except Ram Air)

Includes elbow adapters.

Item No.  
720

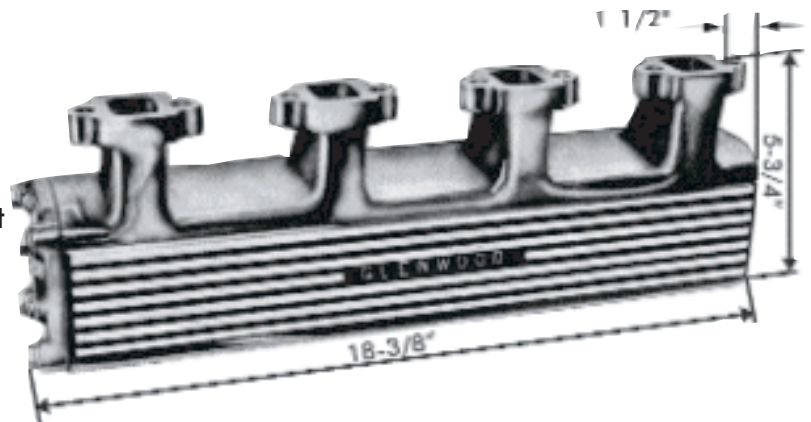


## FORD

221-260-289-302 & 351 cu. in.  
(except Cleveland engine)

Distinctive finned exterior. Lightweight cast aluminum construction. Includes elbow adapters.

Item No.  
755

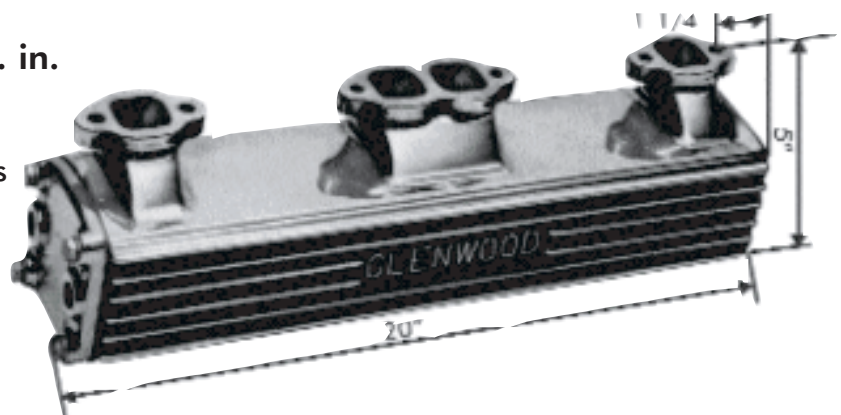


## CHEVROLET V-8

265-283-307-327-350 & 400 cu. in.

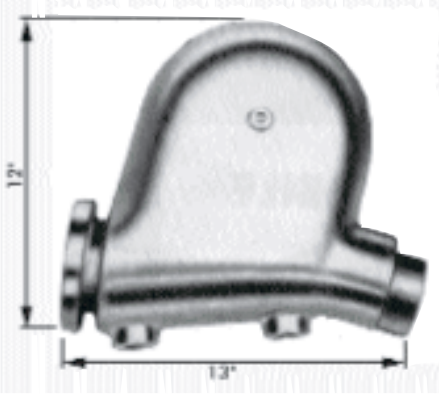
Lightweight and durable cast 356 aluminum alloy. Finned exterior. Has full water jacketed cooling. Includes elbow adapters.

Item No.  
758



# RISERS - CAST ALUMINUM

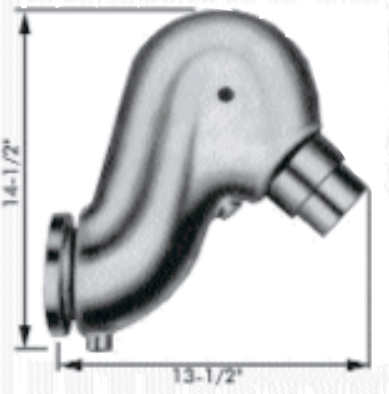
## WATER COOLED RISERS



Designed exclusively for Glenwood's high performance marine header manifolds. These water jacketed risers have a full 3" exhaust outlet.

Flange Size	Hole Size	Hose Size	Item No.
4-7/8"	3"	2-7/8" or 3 1/2" I.D.	714

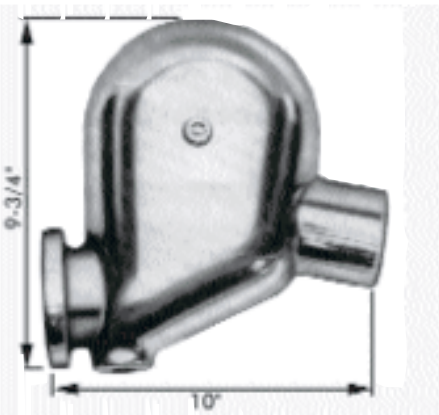
## WATER COOLED RISERS



Thru-transom exhaust outlets on low freeboard hulls may allow water to enter the engine. To prevent possible damage to valve chambers and other internal parts, exhaust risers are a must. (Fits header type manifolds only).

Flange Size	Hole Size	Hose Size	Item No.
4-7/8"	3"	2-7/8" or 3 1/2" I.D.	710

## WATER COOLED SMALL RISERS



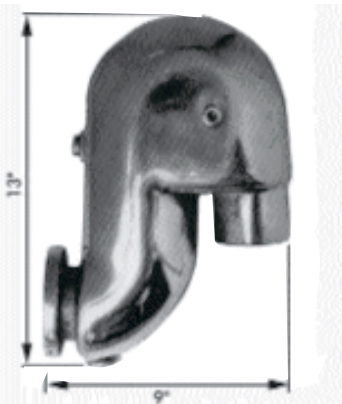
For Glenwood's **rectangular** custom exhaust manifolds, these cast aluminum risers feature complete water cooling.

Flange Size	Hole Size	Hose Size	Item No.
4"	2 1/2"	2- 7/8" I.D.	716

Same riser as above but with large flange for header type manifolds.

Flange Size	Hole Size	Hose Size	Item No.
4-7/8"	2 1/2"	2-7/8" I.D.	715

## WATER COOLED SMALL RISERS 'DOWN-ANGLE OUTLET'



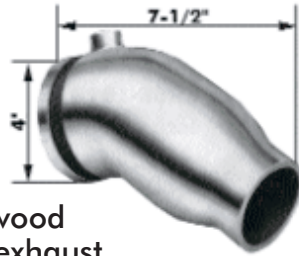
Made for Glenwood's **rectangular** and V-6 Chevrolet manifolds for typical I/O installation.

Flange Size	Hole Size	Hose Size	Item No.
4"	2 1/2"	2-7/8" I.D.	717

**NOTE: ALL RISERS COME UNDRILLED**

# EXHAUST ELBOWS

## 35° WATER COOLED ELBOWS



The traditional Glenwood rectangular custom exhaust manifolds utilize these cast aluminum elbows. All use 2-7/8" flexible hose to connect elbows to exhaust flanges.

Flange Size	Hole Size	Hose Size	Item No.
4"	2 1/2"	2-7/8"	707

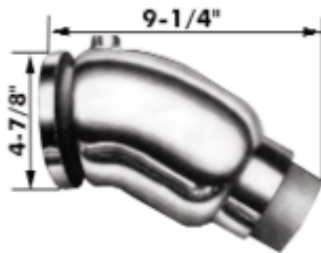
## 80° WATER COOLED ELBOWS



For engine installations close to the transom, (jets and stern drives) these elbows will accommodate 2" or 2 1/2" pipe size. (Fits rectangular type exhaust manifolds only).

Flange Size	Hole Size	Hose Size	Item No.
4"	2-1/2"	2-3/8" or 2-7/8 I.D.	708

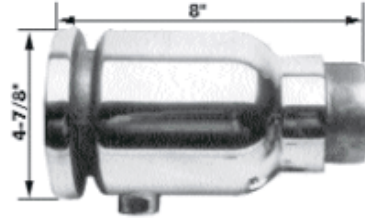
## 35° EXTRA LARGE WATER COOLED ELBOWS



All Glenwood marine header manifolds use these large capacity water cooled elbows. Designed for 2 1/2" or 3" pipe size. (Fits header type manifolds only).

Flange Size	Hole Size	Hose Size	Item No.
4-7/8"	3"	2-7/8" or 3 1/2" I.D.	709

## STRAIGHT WATER COOLED OUTLET



Ideal for conventional inboard engine direct applications (tournament type ski boats).

Flange Size	Hole Size	Hose Size	Item No.
4-7/8"	3"	2-7/8" or 3 1/2" I.D.	1600

## ELBOW ADAPTERS

Rectangular type exhaust manifolds must use these adapters when running water cooled exhaust elbows. Furnished with studs, nuts and gaskets.

Flange Size	Use With Item No.	Item No.
3 1/2" x 3 3/4"	755 & 758	703

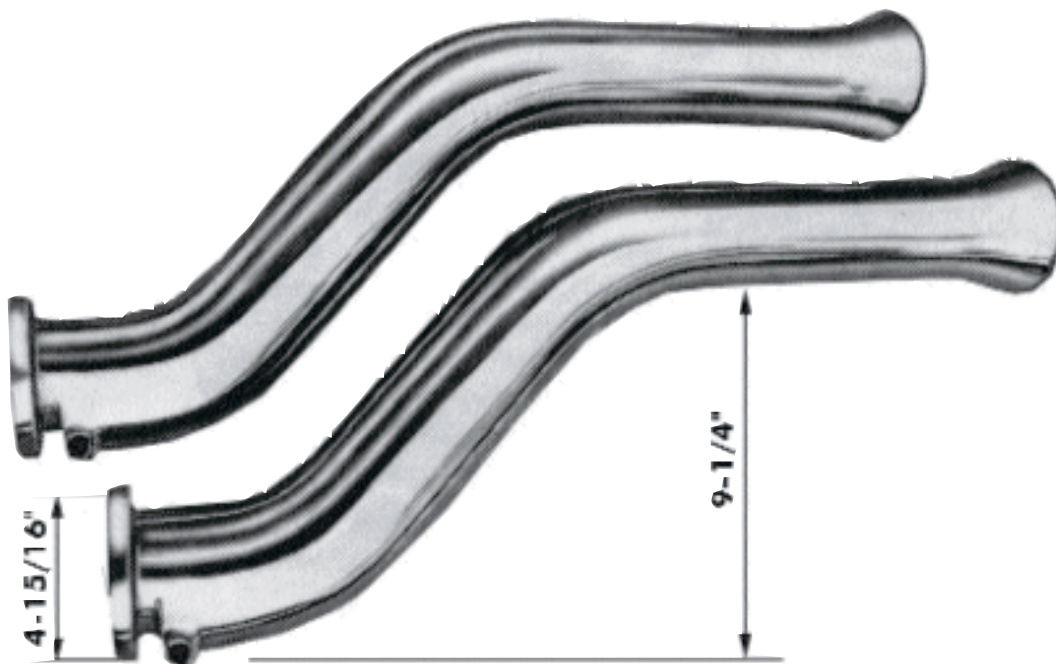
## GASKETS ONLY

Description	Item No.
Square Gasket (Open & Closed)	702
Three Hole Gasket	706
Four Hole Gasket	718

**NOTE: ALL ELBOWS COME UNDRILLED**

# O.T. TRANSOM EXHAUST • GLASS PACK MUFFLERS

## OVER TRANSOM EXHAUST



### CAST ALUMINUM

Available in two length sizes, these highly polished cast aluminum Over-Transom Exhaust pipes feature 3" outlets for maximum engine efficiency. (Fits header type exhaust manifolds only - will not fit a jet boat).

#### Lengths

Pair 29"

Pair 31"

Pair 29" 31"

#### Item No.

713

711

712



## GLASS PACK MUFFLERS

Easy to install. Used with steel Over-Transom Exhaust Pipes.

**FOR STEEL O.T.'S ONLY**

#### Item No.

1124

# EXHAUST PORTS • GARDS



## EXHAUST PORTS

Glenwood's Aluminum Thru-transom exhaust ports are available in three sizes. They are epoxy powder coated black for maximum durability and are made to use Salisbury Exhaust Gards.

Pipe I.D.	Pipe O.D.	Item No.
2½"	2-7/8"	1810
3"	3½"	1820
3½"	4"	1830

## SALISBURY EXHAUST GARDS

Exhaust Pipe Size	Item No.
2-½" to 3"	1400

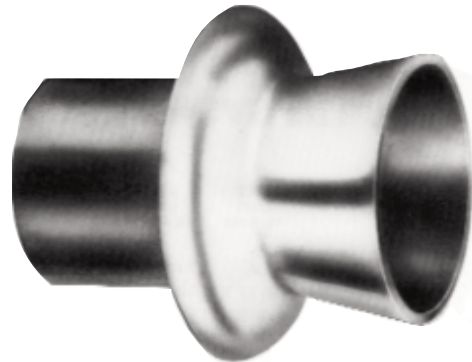
**NOTE: THE MANUFACTURER OF THE SALISBURY GARDS HAS DISCONTINUED THEIR MARINE LINE. THE ABOVE GARDS ARE THE ONLY ONES WE HAVE IN STOCK.**

Salisbury Exhaust Gards are the most widely used method of preventing engine backwash. Salisbury Exhaust Gards are made from durable, non-corrosive neoprene rubber. Furnished with a stainless steel adjustable clamp to secure the gard to the exhaust tip.

## TRUMPET TYPE EXHAUST PORT

The popular Trumpet Exhaust Port keeps the transom clean and attractive. Furnished with studs, nuts and washers for easy installation.

Description	Pipe I.D.	Pipe O.D.	Item No.
Polished Alum.	2½"	2-7/8"	488
Polished Alum.	3"	3½"	489
Chrome Brass	2½"	2-7/8"	490
Chrome Brass	3"	3½"	491



**SEE NEXT PAGE FOR EXHAUST HOSE**

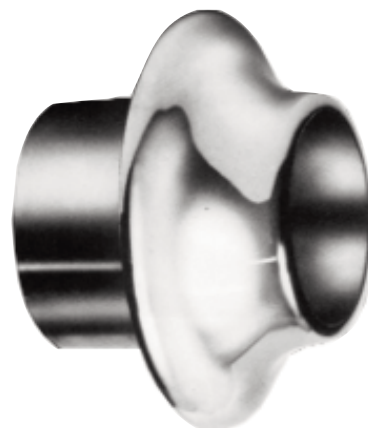


# EXHAUST PORTS • EXHAUST HOSE

## CUSTOM EXHAUST PORT

Glenwood's Custom Exhaust Port is available in polished aluminum or chrome brass. Furnished with studs, nuts and washers.

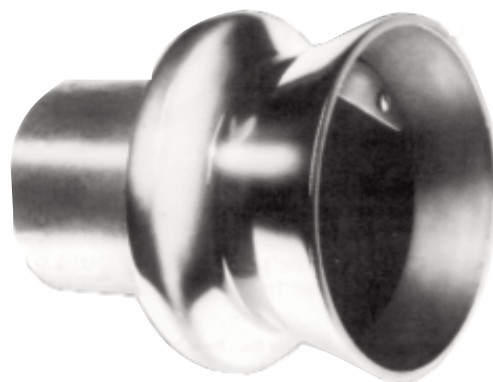
Description	Pipe I.D.	Pipe O.D.	Item No.
Polished Alum.	2"	2-3/8"	743
Polished Alum.	2 1/2"	2-7/8"	745
Polished Alum.	3"	3 1/2"	744
Chrome Brass	2"	2-3/8"	746
Chrome Brass	2 1/2"	2-7/8"	748
Chrome Brass	3"	3 1/2"	747



## FLAPPER TRUMPET EXHAUST PORT

This exhaust port features a built-in flapper to prevent water from entering the engine on the low freeboard and deep-vee hulls. Available in polished aluminum, chrome brass and stainless steel. Furnished with studs, nuts and washers.

Description	Pipe I.D.	Pipe O.D.	Item No.
Polished Alum.	2 1/2"	2-7/8"	750
Polished Alum.	3"	3 1/2"	749
Polished Alum.	3 1/2"	4"	1601
Chrome Brass	2 1/2"	2-7/8"	752
Chrome Brass	3"	3 1/2"	751
Stainless Steel	2 1/2"	2-7/8"	1293
Stainless Steel	3"	3 1/2"	1294



## EXHAUST HOSE CORRUGATED WITH WIRE



## REPLACEMENT FLAPS

Item No 753

Center to Center Hole Spread is 1-1/8".  
Specify size when ordering.

Small - 3-3/8"  
Large - 4-3/16"

For Aluminum and Chrome Brass Ports Only  
For S.S. Replacement Flaps - please call.

Pipe O.D.	Hose I.D.	Item No.
2-7/8"	2-7/8"	520
3-1/2"	3-1/2"	521
4"	4"	522

**NOTE: EXHAUST HOSE CUT TO SIZE IS NOT RETURNABLE.**