

TIMING GEAR COVERS

CHEVROLET TIMING GEAR COVER

Chevrolet 265-283-327-350* & 400* cu in.

Includes bolts and water pump cam drive. Please specify cam drive needed (see below)

Catalog No.	Item No.
34720	875

*350 and 400 with small Harmonic Balancers - These will only fit a 7" diameter or below harmonic balancer.



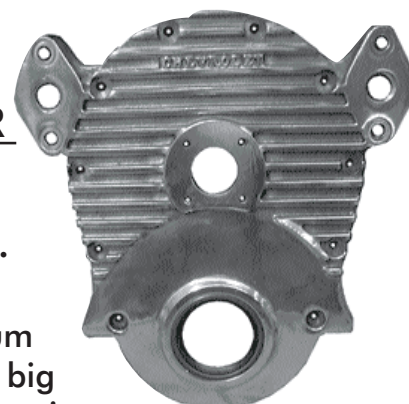
CHEVROLET TIMING GEAR COVER

Chevrolet 396 - 427 & 454 cu in.

Mark IV aluminum 10 bolt cover for big block Chevrolet engines.

Includes bolts, water pump cam drive and gasket.

	Catalog No.	Item No.
Mark IV	36920	935

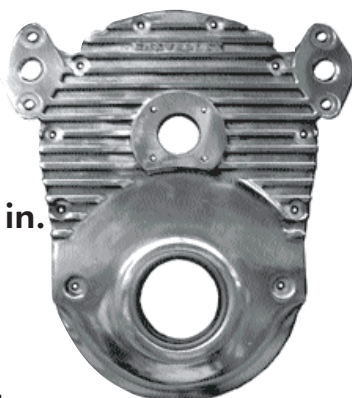


CHEVROLET TIMING GEAR COVER

Chevrolet 454 cu. in.

Mark V Aluminum 10 bolt cover for big block Chevrolet engines. Includes bolts, water pump cam drive and gasket. Please specify cam drive needed (see below)

	Catalog No.	Item No.
Mark V	36985	936

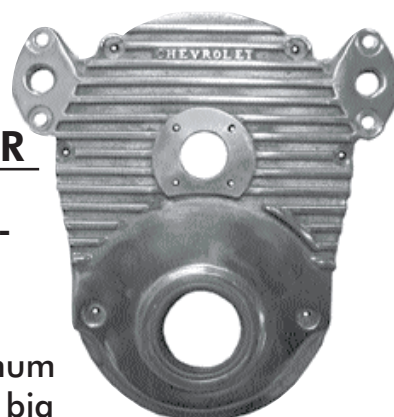


CHEVROLET TIMING GEAR COVER

Chevrolet 454 - 502 cu. in.

Mark VI Aluminum 6 bolt cover for big block Chevrolet engines. Includes bolts, water pump cam drive and gasket. Please specify cam drive needed (see below)

	Catalog No.	Item No.
Mark VI	36986	937



Regular Chevy Cam Drive Specs

Bolt Circle: 1.360
Hole Spread: 1.178" or 1-3/16"

Roller Chevy Cam Drive Specs

Bolt Circle: 1.160
Hole Spread: 1.004" or 1"

PUMP COVER PLATES

OLDSMOBILE PUMP COVER PLATE

CAST ALUMINUM

Polished water pump cover plate. Ideal for jet installations. Furnished with bolts.

Catalog No.	Item No.
27620	691

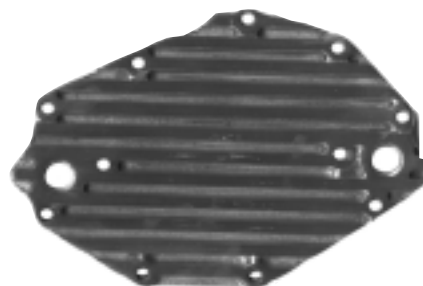


FORD PUMP COVER PLATE

CAST ALUMINUM

Polished water pump cover plate. Ideal for jet installations. Furnished with bolts.

Catalog No.	Item No.
27820	693



OLDSMOBILE 455 CAM DRIVEN WATER PUMP COVER PLATE

CAST ALUMINUM

Pump cover plate is made to use with stock steel timing chain cover. Furnished with cam drive and bolts.

Catalog No.	Item No.
27685	1665

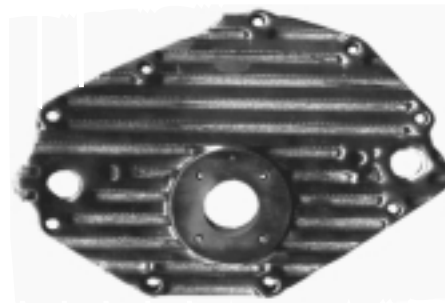


FORD 460 CAM DRIVEN WATER PUMP COVER PLATE

CAST ALUMINUM

Pump cover plate is made to use with stock aluminum timing chain cover. Furnished with cam drive and bolts.

Catalog No.	Item No.
27885	1675



COVER PLATES

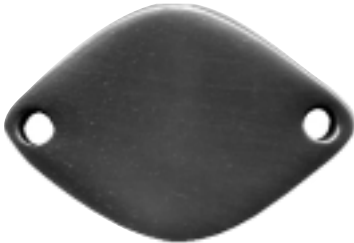
THERMOSTAT COVER PLATES

CAST ALUMINUM

To block off thermostat opening in the intake manifold. Polished finish.

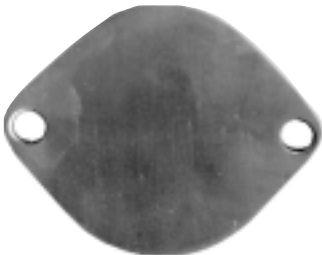
CHEVROLET

Catalog No. 27027 Item No. 1263



FORD - 429-460

Catalog No. 27026 Item No. 686



WATER COVER PLATES

CAST ALUMINUM AND POLISHED
SOLD BY THE PAIR

CHEVROLET 265, 283, 327 and 350

Catalog No. 27220 Item No. 688



CHEVROLET 396, 427 and 454

Catalog No. 27720 Item No. 692



FORD 390, 406 and 427

Catalog No. 27320 Item No. 689



PONTIAC 389 and 421

Catalog No. 27420 Item No. 690

