

FLAME ARRESTERS

GPI STAINLESS STEEL FLAME ARRESTERS

Equip your performance marine engine with a U.S. Coast Guard approved GPI flame arrester offered in nine different sizes to accommodate a variety of popular four-barrel Holly/Rochester and Dominator carburetor models. GPI flame arresters are manufactured using 100% highly polished stainless steel construction to insure maximum corrosion resistance, even in harsh saltwater environments. Each GPI flame arrester model has been specially engineered to deliver optimum air intake to the carburetor. Available in two diameter sizes (8" and 10") and three heights (2", 3" and 5").



Catalog No.	Item No.
GFA-850-8-2	1500
GFA-850-8-3	1510
GFA-850-8-5	1520
GFA-850-10-2	1530
GFA-850-10-3	1540
GFA-850-10-5	1550
GFA-1050-10-2	1560
GFA-1050-10-3	1570
GFA-1050-10-5	1580

ALUMINUM FLAME ARRESTERS

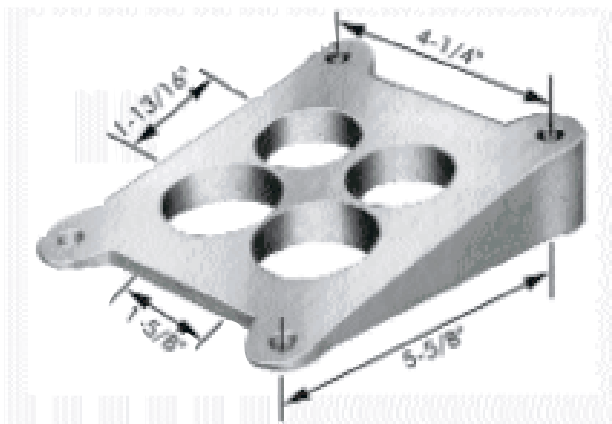
All aluminum flame arrester. Ideal for engines installed in hulls using a motor box or hatch covers. U.S. Coast Guard approved.

Air Horn Size	Element Height	Height Overall	Diameter	Item No.
5-1/8"	1-1/2"	1-1/2"	5-3/4"	460-C
5-1/8"	1-1/2"	2-3/8"	5-3/4"	460-F
5-1/8"	3"	3-7/8"	5-3/4"	460-D
With Breathers:				
5-1/8"	1-1/2"	1-1/2"	5-3/4"	460-E
5-1/8"	1-1/2"	2-3/8"	5-3/4"	460-G
5-1/8"	3"	3-3/4"	8"	460-H



CARBURETOR TILT SHIMS

FOUR THROAT CARBURETOR TILT SHIM - 12°

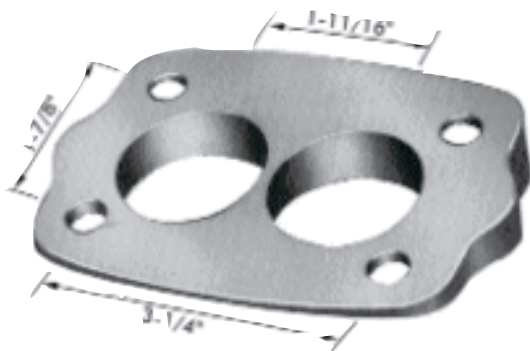


CAST ALUMINUM

Machined and drilled to fit most four barrel carburetors with four bolt patterns. Will not fit a Holley or Edelbrock.

Length	Width	Item No.
6 1/2"	5"	410

TWO THROAT CARBURETOR TILT SHIM - 12°

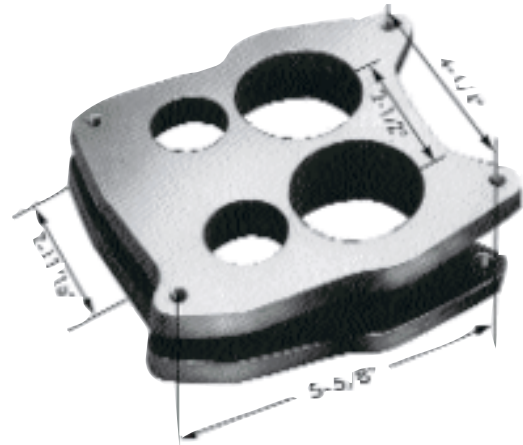


CAST ALUMINUM

Machined and drilled to fit small block Chevrolets with Rochester carburetors ONLY.

Length	Width	Item No.
5"	3-3/8"	411

QUADRAJET TILT SHIM - 12°

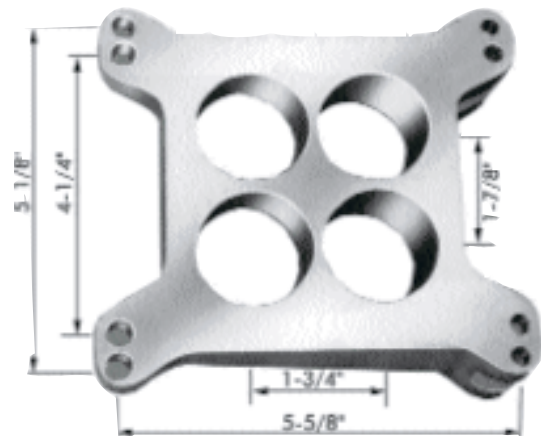


CAST ALUMINUM

Designed especially for four barrel Quadrajet carburetors ONLY.

Item No.
412

TILT SHIM - 12°



CAST ALUMINUM

Designed for Holley, Edelbrock and Carter AFB carburetors with a 4-1/4", 5-1/8" or 5-5/32" x 5-5/8" bolt pattern.

Item No.
455

ALT/THROTTLE BRACKETS • CLAMPS • PROP PULLERS

ALTERNATOR BRACKET

CAST ALUMINUM - Ideal for all applications.
A universal alternator bracket.

Item No.
957



THROTTLE BRACKET

Eliminate troublesome carburetor linkage hook-up with this throttle bracket designed for Holley carburetors. Stamped steel construction and chrome plated. Includes cable clamp, screws and nuts.

Item No.
965



CABLE CLAMP - STAINLESS STEEL

Securely lock your 33C Cables with this easy to mount stainless steel cable clamp.

Item No.
159



UNIVERSAL PROP PULLER

CAST MANGANESE BRONZE

Works equally well for 2 or 3 blade props - Does not work on 4-blade props. Will accommodate propellers up to 13" in diameter. Has a single hardened bolt and an opening of 4-5/8" maximum.
Length: 7".

FOR 1" SHAFTS ONLY.



Item No.
870

STANDARD PROP PULLER

CAST BRONZE

Small puller for 3 blade props **only** which is ideal when the prop is located close to the strut. Pulls from three directions.
Length: 5 3/4"

FOR 1" SHAFTS ONLY.



Item No.
829